

Easergy P3

Solid protection meets unparalleled efficiency

A complete range of protection relays for network applications embedding all the latest communication protocols on serial or Ethernet link



Product at a glance

Unparalleled efficiency

- Simple selection and ordering with EcoReal MV
- Simplified configuration with the new eSetup Easergy Pro setting tool
- Faster delivery with on-the-shelf availability of standard configurations

Better connectivity

- Simpler operation and maintenance with the Easergy SmartApp
- 9 communication protocols in one box, including IEC 61850
- Increased number of inputs and outputs for more possibilities

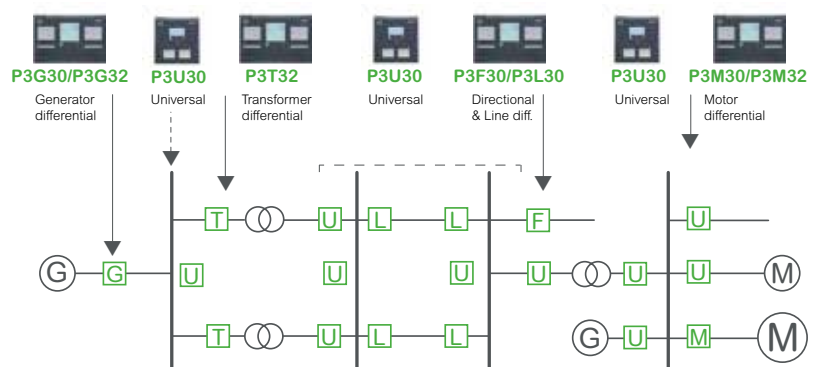
Enhanced safety

- Embedded arc protection
- Built-in virtual injection testing
- Compliant with international standards (i.e. IEC 60255-1)

Easergy P3 is a complete range of protection relays for medium voltage applications, including feeder, motor, transformer, and generator protection.

It embeds all the latest communication protocols on serial or Ethernet links.

Based on more than 100 years of experience in network protection relays, Easergy P3 benefits from the reliability of Sepam, MiCOM and Vamp



Easergy P3

Fast ordering code

Commercial Ref.	Product Reference (*)	Nominal Power Supply	Nominal Digital Input Voltage	Voltage Input	Nbr. Digital Input/Output	Option	Com. Port
 <h3>Easergy P3 Standard</h3>							
REL52018	P3U20-5AAA2ACA	Power A 48-230 V	110-230 Vac/dc	1	10 DI / 5 DO	Screw connector	2 x RJ45
REL52015	P3U20-6AAA2ACA	Power A 48-230 V	110-230 Vac/dc	1	10 DI / 5 DO	Ring-lug connector	2 x RJ45
REL52013	P3U20-5AAA1ACA	Power A 48-230 V	24-230 Vac/dc	1	10 DI / 5 DO	Screw connector	2 x RJ45
REL52011	P3U20-5ABA1ACA	Power B 24 V	24-230 Vac/dc	1	10 DI / 5 DO	Screw connector	2 x RJ45
REL52024	P3U20-5ABA1ADA	Power B 24 V	24-230 Vac/dc	1	10 DI / 5 DO	Screw connector	2 x LC
REL52023	P3U20-6ABA1ADA	Power B 24 V	24-230 Vac/dc	1	10 DI / 5 DO	Ring-lug connector	2 x LC
REL52012	P3U30-5AAA2BBA	Power A 48-230 V	110-230 Vac/dc	4	16 DI / 8 DO	Screw connector	RS485
REL52004	P3U30-5AAA2BCA	Power A 48-230 V	110-230 Vac/dc	4	16 DI / 8 DO	Screw connector	2 x RJ45
REL52010	P3U30-5AAA2BDA	Power A 48-230 V	110-230 Vac/dc	4	16 DI / 8 DO	Screw connector	2 x LC
REL52025	P3U30-5BAA2BCA	Power A 48-230 V	110-230 Vac/dc	4	16 DI / 8 DO	Screw connector	2 x RJ45
REL52016	P3U30-6AAA2BBA	Power A 48-230 V	110-230 Vac/dc	4	16 DI / 8 DO	Ring-lug connector	RS485
REL52008	P3U30-6AAA2BCA	Power A 48-230 V	110-230 Vac/dc	4	16 DI / 8 DO	Ring-lug connector	2 x RJ45
REL52021	P3U30-6AAA2BDA	Power A 48-230 V	110-230 Vac/dc	4	16 DI / 8 DO	Ring-lug connector	2 x LC
REL52002	P3U30-5AAA3BBA	Power A 48-230 V	220-230 Vac/dc	4	16 DI / 8 DO	Screw connector	RS485
REL52001	P3U30-5AAA3BCA	Power A 48-230 V	220-230 Vac/dc	4	16 DI / 8 DO	Screw connector	2 x RJ45
REL52017	P3U30-6AAA3BCA	Power A 48-230 V	220-230 Vac/dc	4	16 DI / 8 DO	Ring-lug connector	2 x RJ45
REL52005	P3U30-5AAA1BBA	Power A 48-230 V	24-230 Vac/dc	4	16 DI / 8 DO	Screw connector	RS485
REL52003	P3U30-5AAA1BCA	Power A 48-230 V	24-230 Vac/dc	4	16 DI / 8 DO	Screw connector	2 x RJ45
REL52007	P3U30-5AAA1BDA	Power A 48-230 V	24-230 Vac/dc	4	16 DI / 8 DO	Screw connector	2 x LC
REL52019	P3U30-5AAA1BFA	Power A 48-230 V	24-230 Vac/dc	4	16 DI / 8 DO	Screw connector	LC + RS232
REL52022	P3U30-6AAA1BCA	Power A 48-230 V	24-230 Vac/dc	4	16 DI / 8 DO	Ring-lug connector	2 x RJ45
REL52006	P3U30-5ABA1BBA	Power B 24 V	24-230 Vac/dc	4	16 DI / 8 DO	Screw connector	RS485
REL52009	P3U30-5ABA1BCA	Power B 24 V	24-230 Vac/dc	4	16 DI / 8 DO	Screw connector	2 x RJ45
REL52014	P3U30-5ABA1BDA	Power B 24 V	24-230 Vac/dc	4	16 DI / 8 DO	Screw connector	2 x LC
REL52020	P3U30-6ABA1BBA	Power B 24 V	24-230 Vac/dc	4	16 DI / 8 DO	Ring-lug connector	RS485
 <h3>Easergy P3 Advanced</h3>							
REL52110	P3F30-CGIAA-AAEDA-B2	Power C 110-230 V	110-230 Vac/dc	4	16 DI / 9 DO	4 Arc sensors	RS232 + LC
REL52107	P3F30-CGGIA-AAEOA-B2	Power C 110-230 V	110-230 Vac/dc	4	22 DI / 13 DO	-	2 x LC
REL52102	P3F30-CGGGI-AAENA-B2	Power C 110-230 V	110-230 Vac/dc	4	28 DI / 17 DO	-	2 x RJ45
REL52103	P3F30-CGGGI-DAECA-B2	Power C 110-230 V	110-230 Vac/dc	4	28 DI / 17 DO	4 Arc sensors	RS232 + RJ45
REL52104	P3F30-CGGIA-AAEBA-B3	Power C 110-230 V	220-230 Vac/dc	4	22 DI / 13 DO	-	RS232
REL52109	P3F30-CGIAA-AAECA-B1	Power C 110-230 V	24-230 Vac/dc	4	16 DI / 9 DO	4 Arc sensors	RS232 + RJ45
REL52111	P3F30-CGIAA-DAENA-B1	Power C 110-230 V	24-230 Vac/dc	4	16 DI / 9 DO	4 Arc sensors	2 x RJ45
REL52105	P3F30-CGGIA-AAECA-B1	Power C 110-230 V	24-230 Vac/dc	4	22 DI / 13 DO	-	RS232 + RJ45
REL52106	P3F30-CGGIA-AAENA-B1	Power C 110-230 V	24-230 Vac/dc	4	22 DI / 13 DO	-	2 x RJ45
REL52108	P3F30-CGGIA-DAENA-B1	Power C 110-230 V	24-230 Vac/dc	4	22 DI / 13 DO	4 Arc sensors	2 x RJ45
REL52101	P3F30-CGGGG-AAENA-B1	Power C 110-230 V	24-230 Vac/dc	4	24 DI / 21 DO	-	2 x RJ45
REL52112	P3F30-CGIIA-AAENA-B1	Power C 110-230 V	24-230 Vac/dc	4	26 DI / 9 DO	-	2 x RJ45
REL52118	P3F30-DGIAA-AAENA-B1	Power D 24-48 V	24-230 Vac/dc	4	16 DI / 9 DO	-	2 x RJ45
REL52119	P3F30-DGIAA-DAENA-B1	Power D 24-48 V	24-230 Vac/dc	4	16 DI / 9 DO	Arc sensors	2 x RJ45
REL52115	P3F30-DGGIA-AAECA-B1	Power D 24-48 V	24-230 Vac/dc	4	22 DI / 13 DO	-	RS232 + RJ45
REL52116	P3F30-DGGIA-AAENA-B1	Power D 24-48 V	24-230 Vac/dc	4	22 DI / 13 DO	-	2 x RJ45
REL52117	P3F30-DGGIA-DAENA-B1	Power D 24-48 V	24-230 Vac/dc	4	22 DI / 13 DO	Arc sensors	2 x RJ45
REL52113	P3F30-DGGGG-AAENA-B1	Power D 24-48 V	24-230 Vac/dc	4	24 DI / 21 DO	-	2 x RJ45
REL52120	P3F30-DGIIA-AAENA-B1	Power D 24-48 V	24-230 Vac/dc	4	26 DI / 9 DO	-	2 x RJ45
REL52114	P3F30-DGGGI-AAENA-B1	Power D 24-48 V	24-230 Vac/dc	4	28 DI / 17 DO	-	2 x RJ45

* For other configurations please consult us or clic here to use our web configurator

Easergy P3

Accessories

Arc point sensors

Comm. Ref	Description	Used on	
REL52801	VA1DA-20	Arc sensor 20 m	
REL52802	VA1DA-20S-HF	Arc sensor 20 m shielded halogen free	
REL52803	VA1DA-20S	Arc sensor 20 m shielded	
REL52804	VA1DA-6	Arc sensor 6 m connect cable	
REL52805	VA1DA-6S-HF	Arc sensor 6 m shielded halogen free	P3F3x / P3M3x P3T3x / P3G3x
REL52806	VA1DA-6S	Arc sensor 6 m shielded	
REL52807	VA1EH-20	Arc sensor 20 m pipe sensor	
REL52808	VA1EH-20S	Arc sensor 20 m pipe sensor shielded	
REL52809	VA1EH-6	Arc sensor 6m pipe sensor	
REL52810	VA1EH-6S	Arc sensor 6m pipe sensor shielded	

RTD Modules

Comm. Ref	Description	Used on	
REL52811	VIO12AASE	24-230 V RTD module 12 RTD inputs Optical Tx	P3Ux0 / P3F3x P3L3x / P3M3x P3T3x / P3G3x
REL52812	VIO12ABSE	24-230 V RTD module 12 RTD inputs RS485	
REL52813	VIO12ACSE	24V _{DC} RTD module 12 RTD inputs 4/4 mA IN/OUT	
REL52814	VIO12ADSE	48-230 V RTD module 12 RTD inputs 4/4 mA IN/OUT	

Communication Port

Comm. Ref	Description	Used on	
REL52815	VPA3CGSE	Profibus interface module	P3Ux0 / P3F3x P3L3x / P3M3x P3T3x / P3G3x
REL52820	VSE002	RS485 module	
REL52821	VSE009	DeviceNet module	

Fiber optic modules

Reference	Description	Used on	
REL52816	VSE001-GGSE	Fiber optic module (Glass - Glass)	P3Ux0 / P3F3x P3L3x / P3M3x P3T3x / P3G3x
REL52817	VSE001-GPSE	Fiber optic module (Glass - Plastic)	
REL52818	VSE001-PGSE	Fiber optic module (Plastic - Glass)	
REL52819	VSE001-PPSE	Fiber optic module (Plastic - Plastic)	

Others accessories

Reference	Description	Used on	
REL52822	USB cable	USB programming cable (Easergy Pro)	P3Ux0 / P3F3x P3L3x / P3M3x P3T3x / P3G3x
REL52828	VYX001	Mounting plate for arc sensor Z-shape	
REL52829	VYX002	Mounting plate for arc sensor L-shape	
REL52831	VYX301	Wall fastening module for VSE00x	P3F3x P3L3x / P3M3x P3T3x / P3G3x
REL52832	Raising frame	Raising frame, 45 mm	
REL52823	VX067	Split cable for COM 1-2 & COM 3-4 ports	P3F3x P3L3x / P3M3x P3T3x / P3G3x
REL52824	VX072	Profibus cable	
REL52834	Raising frame	Raising frame, 45 mm	P3Ux0
REL52833	P3UPSC	Panel Seal Cover	
REL52825	VX082	RS232 - VSE (1xD9) cable	
REL52826	VX083	RS232 - Remote/Ext. (3xD9) cable	
REL52827	VX084	RS232 - VPA 3CG cable (Profibus)	